

APPLICATION:

PRODUCT NAME:

SWIVEL CONTROL SPOUT

JOB NAME:

SPECIAL CONFIGURATION
 CHECK BASE MODEL AND OPTIONS

QUANTITY:

ITEM NO.

MODEL:

11010 8" SWIVEL CONTROL SPOUT
 4000-0001 11" SWIVEL CONTROL SPOUT

OPTIONS OR MODIFICATIONS:

OTHER _____

FEATURES

RECOMMENDED SETTINGS

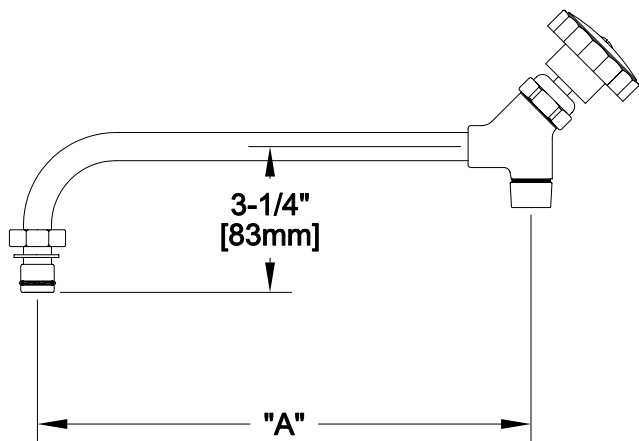
* 110°F AT 80 PSI

SYSTEM LIMITS

* TEMP: 40°F MIN. TO 140°F MAX.
 * PRESSURE: 200 PSI MAX. STATIC

SHIPPING WEIGHT

* 1.25 LBS



MODEL	DIM "A"
11010	8" [204mm]
4000-0001	11" [280mm]



ANSI/A112.18.1M

FISHER

FISHER MANUFACTURING COMPANY

TOLL FREE: 800-421-6162 - FAX: 800-832-8238

information@fisher-mfg.com - www.fisher-mfg.com